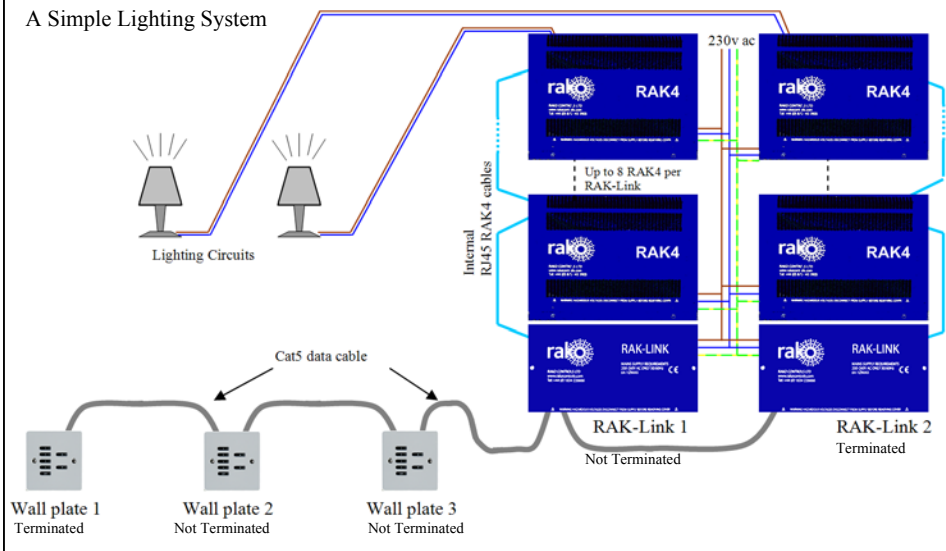


A Simple Lighting System



This picture shows a simple lighting installation using the Rako Wired system.

The system uses CAT5 cable to provide power and data to the Wallplates. The Wallplate power is provided by power supplies that are fitted inside the RAKLinks. When a Wallplate button is pressed it sends commands to the RAKLinks. The RAK-Links decide to which RAK4 channels the commands should be sent. The RAK-Links connect to the RAK4's through RJ45 cables which are electrically separate from the CAT5 cabling.

The CAT5 cable, Wallplates and RAK-Links form a Data Network. The network is a single cable to which devices are attached along its length. Each end of the cable must be terminated to make it work properly. The Wallplates and the RAK-Links are provided with termination jumpers.

**In the example above, Wallplate 1 and RAK-Link 2 are at each end of the cable, so these must have their termination jumpers fitted. Wallplates 2, 3 and RAK-Link 1 must not have termination jumpers fitted.**



**INSTALLATION INSTRUCTIONS**

The RAK-Link is designed to be wall mounted with RAK4 dimmers.

- **Prepare RAK-4 Housing for fixing to RAK-Link.**

Knock-out these holes to accept cables from RAK-LINK

Fit Spacer Bars (Provided with RAK-4)



- **Fit RAK-Link Housing to RAK-4**

Label on RAK-Link shows which side is placed against RAK4 for easy cable routing.



- Screw RAK-Link Housing to wall.
- Prepare ac supply cable



Fixing screws

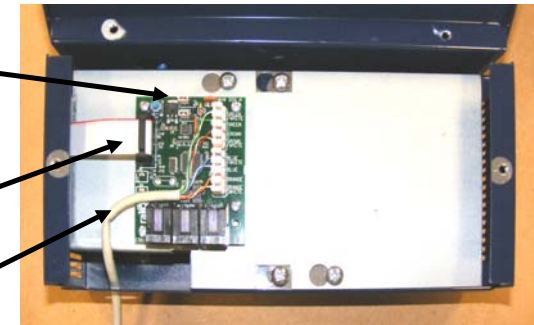
ac supply cable ready to be wired up

- Fit Upper Tray into RAK-Link Housing.
- Connect RAKOM CAT5 Cable.
- Set Termination Jumper Links
- Plug Ribbon Cable to circuit board

Termination Jumper Links

Ribbon Cable

RAKOM CAT5 Cable



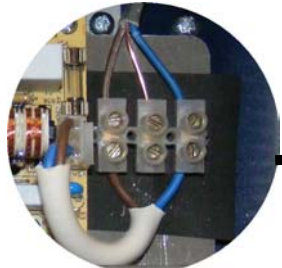
RJ45 connection between RAK-Link and RAK4's



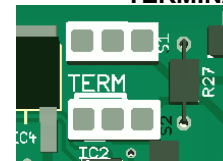
- Fit Lower Tray to RAK-Link Housing.
- Connect ac supply to Terminal Block.
- Connect RJ45 Cable.



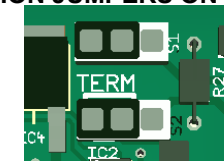
Ac supply to RAK-Link



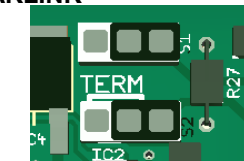
### TERMINATION JUMPERS ON RAKLINK



NOT TERMINATED



TERMINATED



STAR TERMINATION

See diagram of Simple Lighting System for details of which units to Terminate

(Only used when Star Wiring is used. See Star Wiring unit instructions for details)